

REMOVAL AND INSTALLATION

☒ **Labor Operations:** Click to display a list of Labor Operations associated with this procedure

REMOVAL

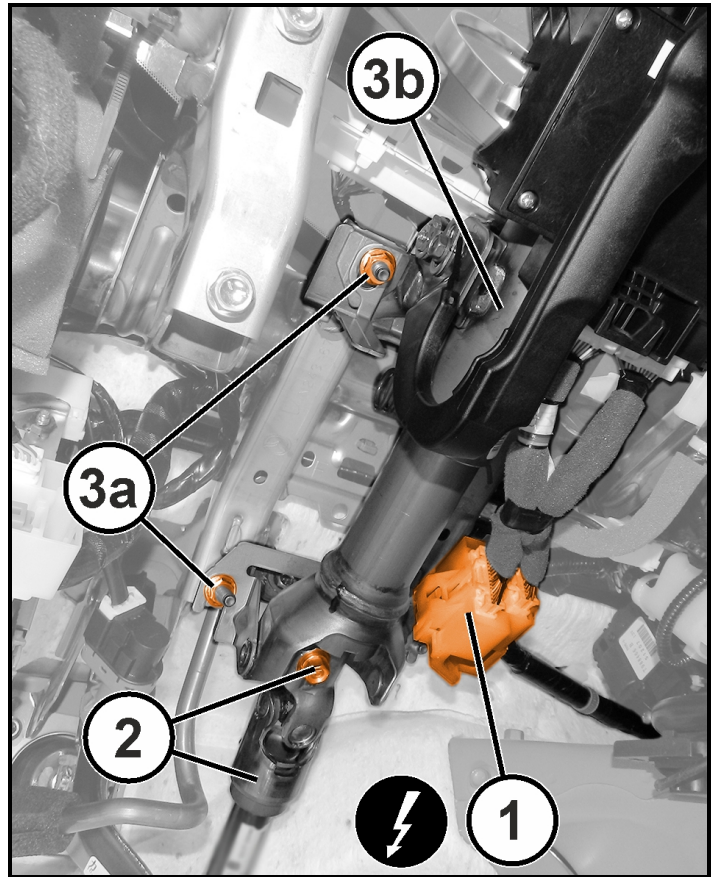
WARNING:

When an undeployed airbag module is to be removed from the vehicle, first disconnect the battery ground cable and isolate it. Allow the system capacitor to discharge for a minimum of two minutes before starting any removal.

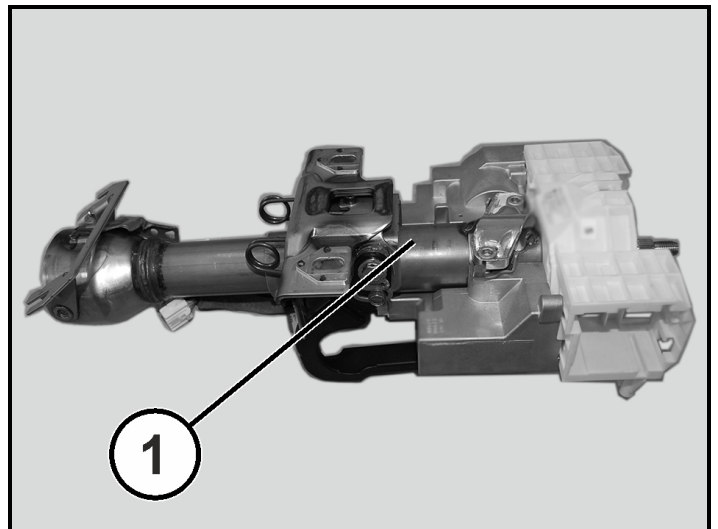
NOTE:

Before proceeding, (Refer to 19 - Steering/Warning).

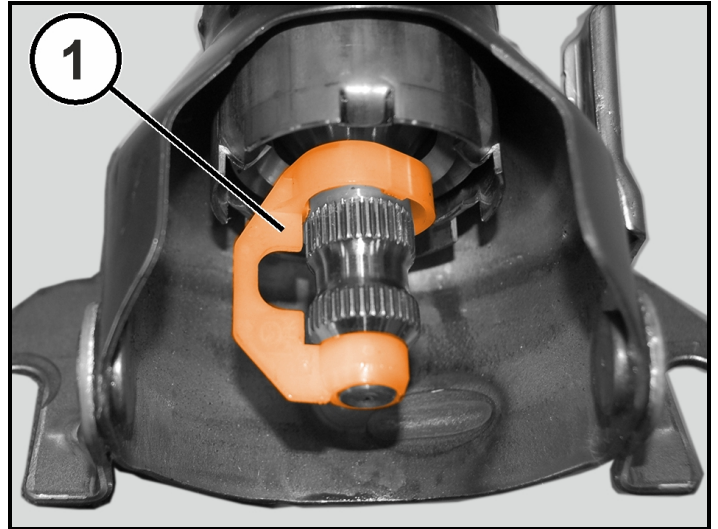
1. Disconnect and isolate the negative battery cable.
2. Remove the left side floor air outlet (Refer to 24 - Heating and Air Conditioning/Distribution/OUTLET, Air/Removal and Installation) .
3. Remove the steering column control module (Refer to 08 - Electrical/8E - Electronic Control Modules/MODULE, Steering Column Control/Removal and Installation) .
4. Disengage the electrical harness connector (1) from the steering column, and disconnect the electrical harness connector.
5. Remove and **DISCARD** the intermediate shaft to steering column pinch bolt (2).
6. Remove the four steering column to dash support mounting nuts (3a).



7. Disconnect the intermediate shaft and remove the steering column from the vehicle.



8. Mark the mounting location for the intermediate shaft to the steering column shaft using the specific clip (1).



INSTALLATION

1. Position the steering column in the vehicle and connect the intermediate shaft to the steering column.
2. Install the four steering column to dash frame bolts, and tighten to the proper (Torque Specifications) .
3. Install a **NEW** intermediate shaft to steering column pinch bolt and tighten to the proper (Torque Specifications) .
4. Connect the electrical harness connector and secure the retainer to the steering column.
5. Install the steering column control module (Refer to 08 - Electrical/8E - Electronic Control Modules/MODULE, Steering Column Control/Removal and Installation) .
6. Install the left side floor air outlet (Refer to 24 - Heating and Air Conditioning/Distribution/OUTLET, Air/Removal and Installation) .
7. Connect the negative battery cable.